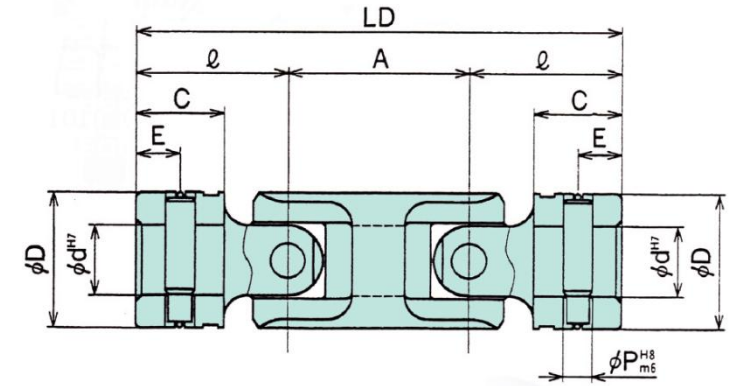


UNIVERSAL JOINT



SJD TYPE

UNIT = m / m

MODEL	SPECIF	Ma (kgf-m)	M (kgf-m)	Angle(°)	Ød ^{H7}	ØD	LD	A	l	C	E	ØP ^{H8} _{m6}	M	(g)
SJD-06	-	0.4	540.8	30	6	12	49.5	18.5	15.5	9.0	4.5	3.0	M3	30
SJD-08	-	0.9	799.5	30	8	15	58.0	22.0	18.0	10.0	5.0	3.5	M3	50
SJD-10	SJD-10KT	2.1	1325.6	30	10	19	67.5	25.5	21.0	12.0	6.0	4.5	M5	95
SJD-12	SJD-12KT	3.4	2345.3	30	12	23	83.0	31.0	26.0	15.0	7.5	5.0	M5	180
SJD-14	SJD-14KT	4.7	2651.3	30	14	26	94.5	35.5	29.5	17.0	8.5	5.8	M6	250
SJD-16	SJD-16KT	7.8	3976.9	30	16	30	117.5	43.5	37.0	22.0	11.0	6.5	M6	410
SJD-18	SJD-18KT	9.8	4486.8	30	18	33	129.0	48.0	40.5	23.5	11.75	7.0	M6	550
SJD-20	SJD-20KT	13.2	5302.5	30	20	36	139.0	52.0	43.5	25.0	12.5	8.0	M6	690
SJD-22	SJD-22KT	18.9	6934.1	30	22	40	150.0	56.0	47.0	27.0	13.5	9.0	M6	940
SJD-25	SJD-25KT	25.3	8259.7	30	25	44	168.0	63.0	52.5	30.0	15.0	10.0	M8	1240
SJD-30	SJD-30KT	37.0	10197.2	30	30	51	195.0	73.0	61.0	35.0	17.5	11.5	M8	1775
SJD-35	SJD-35KT	60.6	14276.0	30	35	59	224.0	84.0	70.0	40.0	20.0	13.0	M10	3180
SJD-40	SJD-40KT	90.9	19354.9	30	40	67	251.0	94.0	78.5	45.0	22.5	14.5	M10	4150
SJD-45	SJD-45KT	117.9	22433.8	30	45	75	282.0	106.0	88.0	50.0	25.0	16.0	M10	6225
SJD-50	SJD-50KT	144.8	28552.1	30	50	83	304.0	113.0	95.5	55.0	27.5	17.5	M10	7750