

NEW POWER
U.S.A. DC MOTORS



INDUSTRIAL MOTOR LINE



PERMANENT MAGNET DC MOTOR

<http://www.usa-newpower.com>
E-mail: service@usa-newpower.com

Up to speed in any variable speed application.

Whatever your needs in variable speed applications, you can trust our 200/300/400/500 series PMDC motors. Designed and built under the highest quality process for General industrial needs, our products are there to provide reliable performance for a long time. Our motors will provide constant torque over the entire speed range when properly match to the speed Controller.

When properly matched with the Speed Controllers, our motors can achieved stable Speed/Torque regulation at near zero rpm to full speed of the motor. In addition, We can customize our mechanical or electrical parmeters to suit your needs.

For precision applications, we provide special encoder mounted on the motor shaft to achieve precise speed regulation and high torque at low speed without lengthening the motor.

0045 1/16 HP 45 W **0060** 1/12 HP 60 W **0075** 1/10 HP 75 W **0090** 1/8 HP 90 W **0120** 1/6 HP 120 W **0150** 1/5 HP 150 W **0180** 1/4 HP 180 W **0250** 1/3 HP 250 W



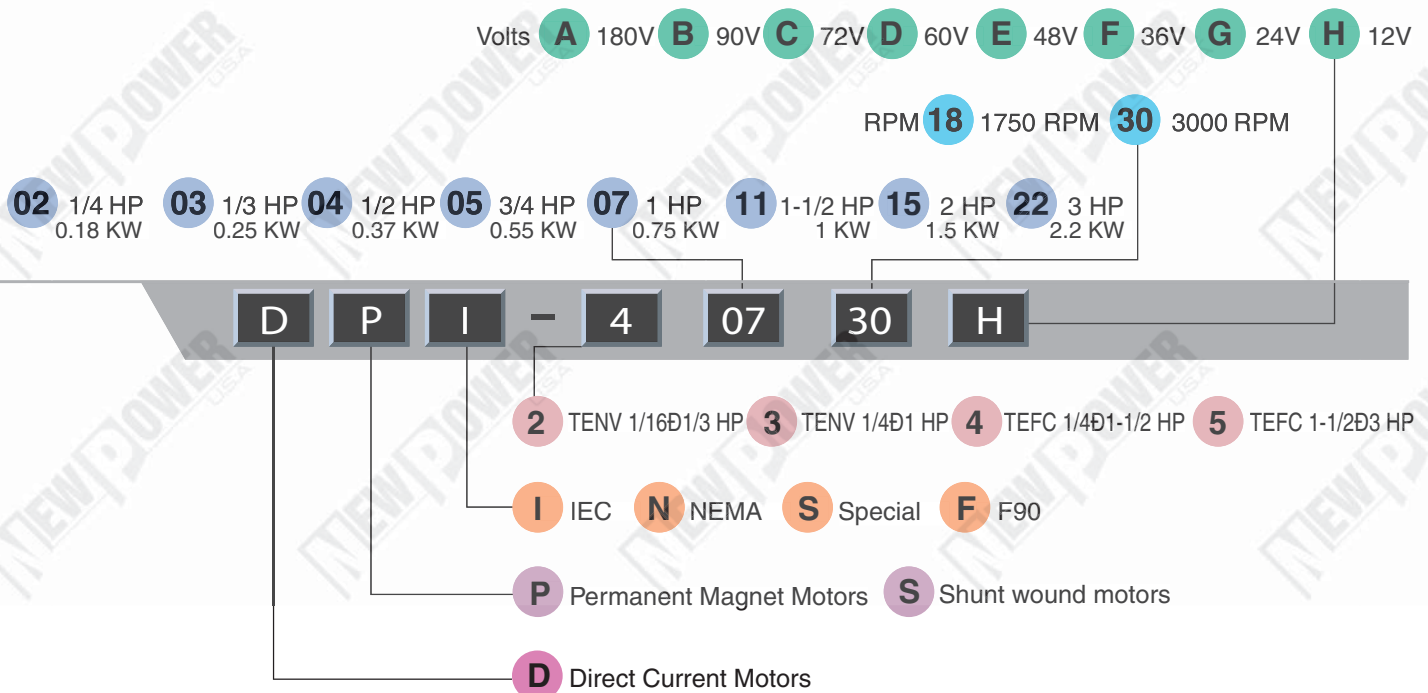
Magnet DC Motors

Features

1. Nema 42C-184TC face and base configurations available.
2. IEC B5, B14, D56-D100 flange mount with removable base.
3. High quality ball bearing guarantee long time operation in motor.
4. Removable brush cover for easier inspection and brush replacement.
5. Rated for use with SCR and PWM variable speed controls.
6. Low inertia armatures provide quick response.
7. Ratings include 1/16 HP to 3HP, with various rated speeds available as standard in both 90V and 180V DC designs, TEFC and TENV versions.
8. 12V/24V/36V/48V DC available.
9. Protection index: IP 54

Category No.

TENV Totally Enclose Non-Vented
TEFC Totally Enclose Fan-Cooled



Permanent magnet DIRECT CURRENT MOTORS

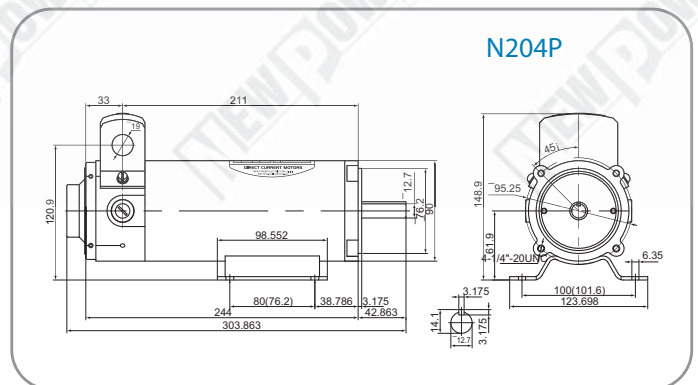
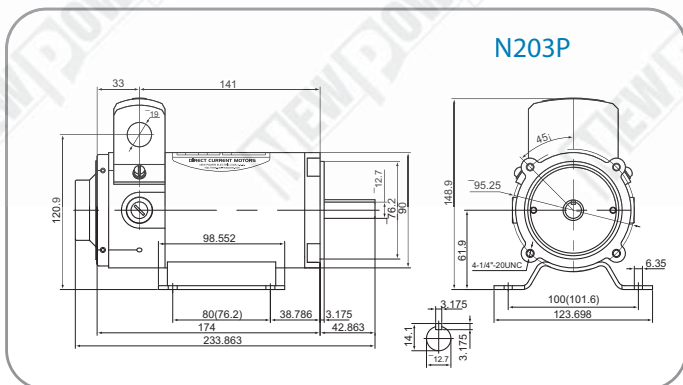
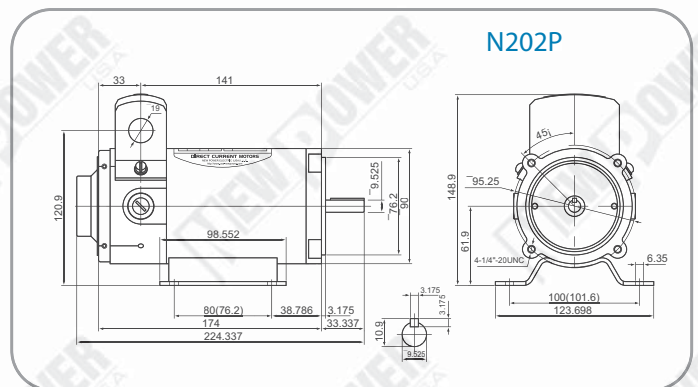
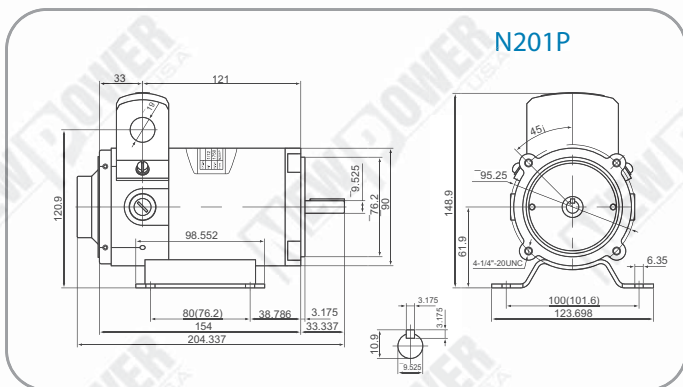
#200 TYPE NEMA 42C~48C

NEMA DC Permanent magnet motors for thyristor drives 45W~250W (1/16 HP ~ 1/3 HP) Size 42C-48C NEMA Frames Totally Enclose Non-Vented with C-face and base

*Application: General purpose including conveyors, material handling equipment and packaging machinery.



Ratings With form factor		Base Speed R.P.M.	Motor Frame	Armature		Toque		Motors Weight Kgs	Motors Type	Motors Catalog Number
W	HP			Volts	Fill Load Amps	Nm	Lb.Ft			
45	1/16	1750	42C	180	0.31	0.25	0.18	4.0	N 201P	DPN-2004518A
		1750	42C	90	0.63	0.25	0.18	4.0	N 201P	DPN-2004518B
60	1/12	1750	42C	180	0.42	0.33	0.24	4.0	N 201P	DPN-2006018A
		1750	42C	90	0.83	0.33	0.24	4.0	N 201P	DPN-2006018B
		3000	42C	180	0.42	0.19	0.14	4.0	N 201P	DPN-2006030A
		3000	42C	90	0.83	0.19	0.14	4.0	N 201P	DPN-2006030B
75	1/10	3000	42C	180	0.52	0.24	0.18	5.0	N 201P	DPN-2007530A
		3000	42C	90	1.04	0.24	0.18	5.0	N 201P	DPN-2007530B
75	1/10	1750	42C	180	0.52	0.41	0.30	5.0	N 202P	DPN-2007518A
		1750	42C	90	1.04	0.41	0.30	5.0	N 202P	DPN-2007518B
90	1/8	1750	42C	180	0.63	0.49	0.36	5.0	N 202P	DPN-2009018A
		1750	42C	90	1.25	0.49	0.36	5.0	N 202P	DPN-2009018B
		3000	42C	180	0.63	0.29	0.21	5.0	N 202P	DPN-2009030A
		3000	42C	90	1.25	0.29	0.21	5.0	N 202P	DPN-2009030B
120	1/6	3000	42C	180	0.83	0.38	0.28	5.0	N 202P	DPN-2012030A
		3000	42C	90	1.67	0.38	0.28	5.0	N 202P	DPN-2012030B
120	1/6	1750	48C	180	0.83	0.65	0.48	5.0	N 203P	DPN-2012018A
		1750	48C	90	1.67	0.65	0.48	5.0	N 203P	DPN-2012018B
150	1/5	3000	48C	180	1.04	0.48	0.35	6.5	N 203P	DPN-2015030A
		3000	48C	90	2.08	0.48	0.35	6.5	N 203P	DPN-2015030B
150	1/5	1750	48C	180	1.04	0.82	0.60	6.5	N 204P	DPN-2015018A
		1750	48C	90	2.08	0.82	0.60	6.5	N 204P	DPN-2015018B
180	1/4	1750	48C	180	1.25	0.98	0.72	6.5	N 204P	DPN-2018018A
		1750	48C	90	2.50	0.98	0.72	6.5	N 204P	DPN-2018018B
		3000	48C	180	1.25	0.57	0.42	6.5	N 204P	DPN-2018030A
		3000	48C	90	2.50	0.57	0.42	6.5	N 204P	DPN-2018030B
250	1/3	3000	48C	180	1.74	0.80	0.59	6.5	N 204P	DPN-2025030A
		3000	48C	90	3.47	0.80	0.59	6.5	N 204P	DPN-2025030B



- Above figures are estimated according to the theory base, the figures may be adjusted via actual different application & factor.
- The seller reserves the right to make any modification without advanced notice to customers upon the design or appearance shape for all New Power products.

Permanent magnet DIRECT CURRENT MOTORS

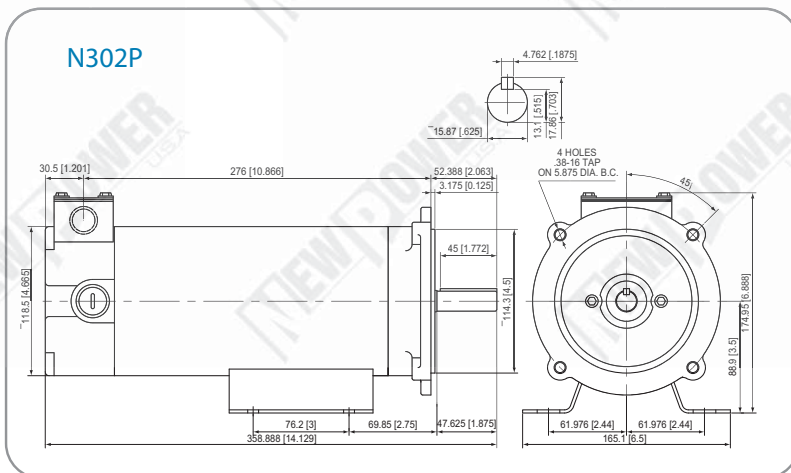
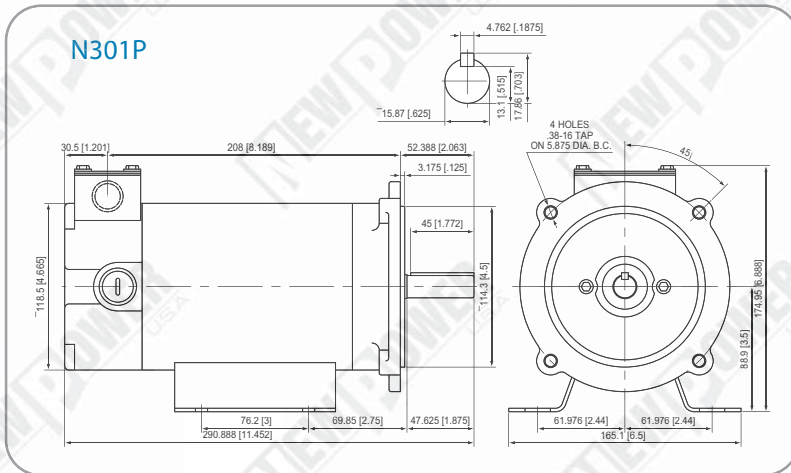
#300 TYPE NEMA 56C

NEMA DC Permanent magnet motors for thyristor drives 0.18KW~0.75KW (1/4 HP ~ 1 HP) Size
56C NEMA Frames Totally-Enclose Non-Vented with C-face and base

*Application: Conveyors, mixer, packaging machinery, electric wheelchair.



Ratings With form factor		Base Speed R.P.M.	Motor Frame	Armature		Toque		Motors Weight Kgs	Motors Type	Motors Catalog Number
KW	HP			Volts	Fill Load Amps	Nm	Lb.Ft			
0.18	1/4	1750	56C	180	1.40	1.02	0.75	11.0	N 301P	DPN-30218A
		1750	56C	90	2.50	1.02	0.75	11.0	N 301P	DPN-30218B
0.25	1/3	1750	56C	180	1.70	1.36	1.00	11.0	N 301P	DPN-30318A
		1750	56C	90	3.20	1.36	1.00	11.0	N 301P	DPN-30318B
		3000	56C	180	1.70	0.79	0.58	11.0	N 301P	DPN-30330A
		3000	56C	90	2.80	0.79	0.58	11.0	N 301P	DPN-30330B
0.37	1/2	3000	56C	180	2.50	1.19	0.87	12.0	N 301P	DPN-30430A
		3000	56C	90	4.20	1.19	0.87	12.0	N 301P	DPN-30430B
0.37	1/2	1750	56C	180	2.50	2.04	1.50	14.0	N 302P	DPN-30418A
		1750	56C	90	4.80	2.04	1.50	14.0	N 302P	DPN-30418B
0.56	3/4	1750	56C	180	3.70	3.06	2.25	15.0	N 302P	DPN-30518A
		1750	56C	90	7.40	3.06	2.25	15.0	N 302P	DPN-30518B
		3000	56C	180	3.70	1.78	1.31	15.0	N 302P	DPN-30530A
		3000	56C	90	7.40	1.78	1.31	15.0	N 302P	DPN-30530B
0.75	1	3000	56C	180	5.00	2.39	1.76	16.0	N 302P	DPN-30730A
		3000	56C	90	10.00	2.39	1.76	16.0	N 302P	DPN-30730B



1. Above figures are estimated according to the theory base, the figures may be adjusted via actual different application & factor.
2. The seller reserves the right to make any modification without advanced notice to customers upon the design or appearance shape for all New Power products.

Permanent magnet DIRECT CURRENT MOTORS

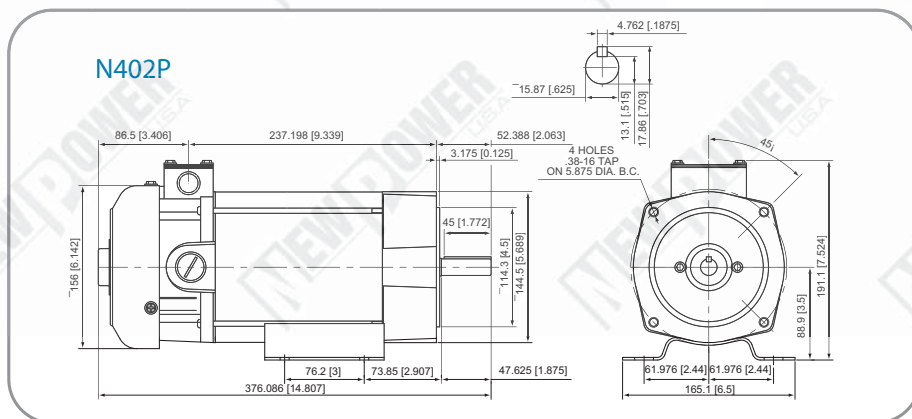
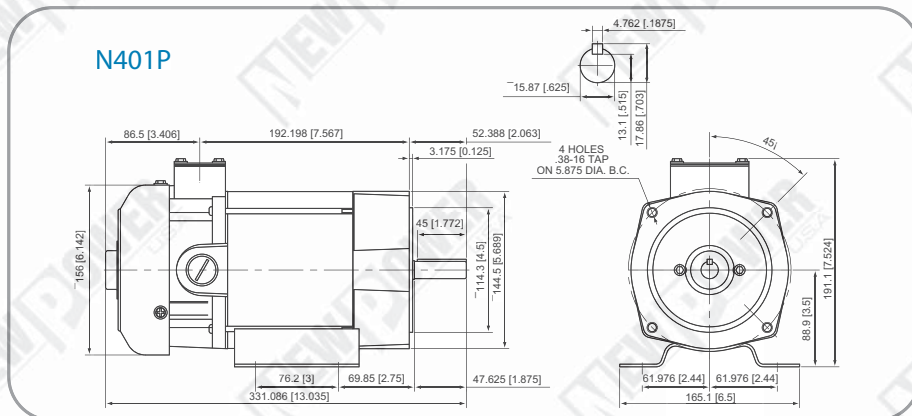
#400 TYPE NEMA

NEMA DC Permanent magnet motors for thyristor drives 0.18KW~1.1KW (1/4 HP ~ 1.5 HP) Size 56C NEMA Frames totally-enclosed fan-cooled with C-face and base

*Application: Conveyors, printing, plastic machinery, food processing and feeder.



Ratings With form factor		Base Speed R.P.M.	Motor Frame	Armature		Toque		Motors Weight Kgs	Motors Type	Motors Catalog Number
KW	HP			Volts	Fill Load Amps	Nm	Lb.Ft			
0.18	1/4	1750	56C	180 V	1.4	1.02	0.75	12.0	N 401P	DPN-40218A
		1750	56C	90 V	2.5	1.02	0.75	12.0	N 401P	DPN-40218B
0.25	1/3	1750	56C	180 V	1.7	1.36	1.00	12.0	N 401P	DPN-40318A
		1750	56C	90 V	3.2	1.36	1.00	12.0	N 401P	DPN-40318B
		3000	56C	180 V	2.2	0.79	0.58	12.0	N 401P	DPN-40330A
		3000	56C	90 V	2.8	0.79	0.58	12.0	N 401P	DPN-40330B
0.37	1/2	1750	56C	180 V	2.5	2.04	1.50	14.0	N 401P	DPN-40418A
		1750	56C	90 V	4.8	2.04	1.50	14.0	N 401P	DPN-40418B
		3000	56C	180 V	2.5	1.19	0.87	13.0	N 401P	DPN-40430A
		3000	56C	90 V	4.2	1.19	0.87	13.0	N 401P	DPN-40430B
0.56	3/4	3000	56C	180 V	3.1	1.78	1.31	14.0	N 401P	DPN-40530A
		3000	56C	90 V	6.3	1.78	1.31	14.0	N 401P	DPN-40530B
0.56	3/4	1750	56C	180 V	3.7	3.06	2.25	20.0	N 402P	DPN-40518A
		1750	56C	90 V	7.0	3.06	2.25	20.0	N 402P	DPN-40518B
0.75	1	1750	56C	180 V	5.0	4.08	3.00	23.0	N 402P	DPN-40718A
		1750	56C	90 V	10.0	4.08	3.00	23.0	N 402P	DPN-40718B
		3000	56C	180 V	5.1	2.38	1.75	16.0	N 402P	DPN-40730A
		3000	56C	90 V	8.4	2.38	1.75	16.0	N 402P	DPN-40730B
1.1	1.5	3000	56C	180 V	8.0	3.57	2.62	19.0	N 402P	DPN-41130A



1. Above figures are estimated according to the theory base, the figures may be adjusted via actual different application & factor.

2. The seller reserves the right to make any modification without advanced notice to customers upon the design or appearance shape for all New Power products.

Permanent magnet DIRECT CURRENT MOTORS

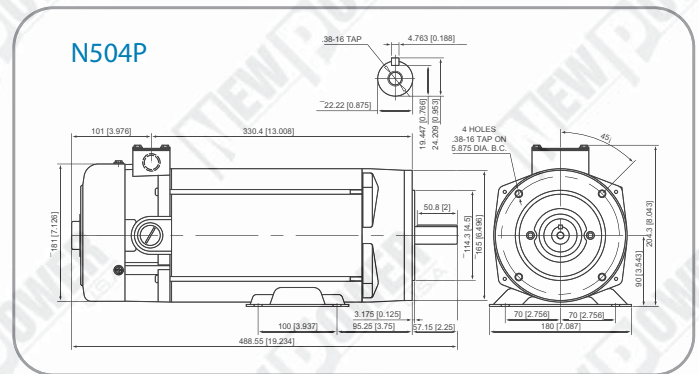
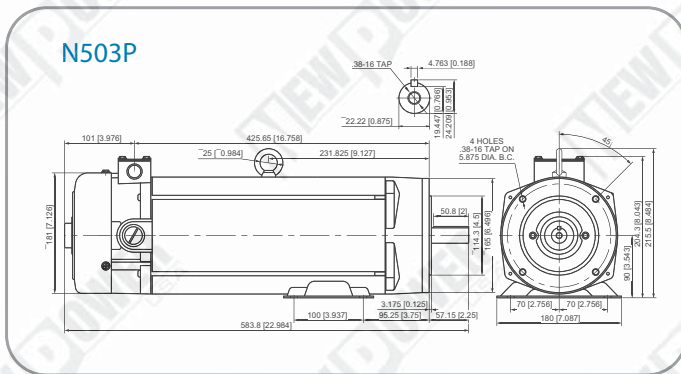
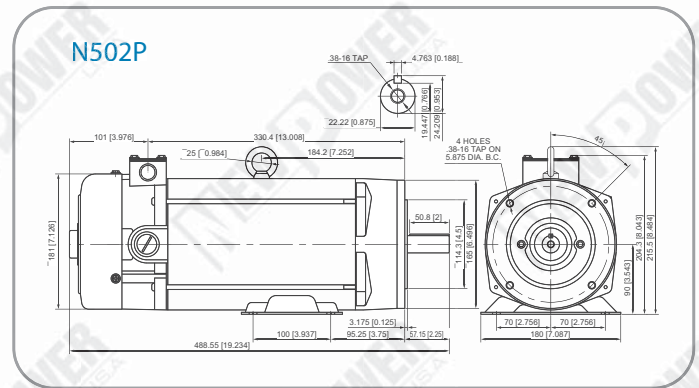
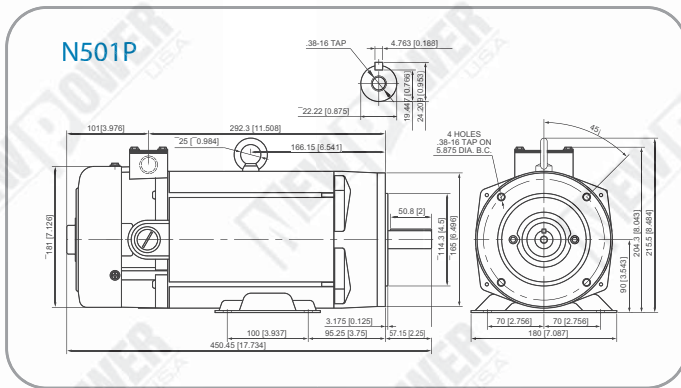
#500 TYPE NEMA 145TC



DC Permanent magnet motors for thyristor drives 1.1KW~2.2KW (1.5 HP ~ 3 HP) Nema 145TC totally-enclosed fan-cooled with C-face and base

*Application:Conveyors, printing, plastic machinery, food processing and feeder.

Ratings With form factor		Base Speed R.P.M.	Motor Frame	Armature		Toque		Motors Weight Kgs	Motors Type	Motors Catalog Number
KW	HP			Volts	Fill Load Amps	Nm	Lb.Ft			
1.1	1.5	1750	145TC	180 V	7.7	6.12	4.5	25	N 501P	DPN-51118A
1.5	2	1750	145TC	180 V	9.6	8.16	6	29	N 502P	DPN-51518A
		3000	145TC	180 V	11.4	4.76	3.5	33	N 502P	DPN-51530A
2.2	3	1750	145TC	180 V	14.0	9.00	6.64	40	N 503P	DPN-52218A
		3000	145TC	180 V	14.0	5.25	3.87	35	N 504P	DPN-52230A



1. Above figures are estimated according to the theory base, the figures may be adjusted via actual different application & factor.
 2. The seller reserves the right to make any modification without advanced notice to customers upon the design or appearance shape for all New Power products.



NEW POWER ELECTRIC (U.S.A) L.L.C.
Add:726S, Casino Center Blvd #207, Las Vegas,
NV 89101-6743, U.S.A
<http://www.usa-newpower.com>
E-mail:service@usa-newpower.com

Distributor: