

**NEW POWER**  
U.S.A DC MOTORS



**INDUSTRIAL MOTOR LINE**



# PERMANENT MAGNET DC MOTOR

<http://www.usa-newpower.com>  
E-mail: [service@usa-newpower.com](mailto:service@usa-newpower.com)

## Up to speed in any variable speed application.

Whatever your needs in variable speed applications, you can trust our 200/300/400/500 series PMDC motors. Designed and built under the highest quality process for General industrial needs, our products are there to provide reliable performance for a long time. Our motors will provide constant torque over the entire speed range when properly match to the speed Controller.

When properly matched with the Speed Controllers, our motors can achieved stable Speed/Torque regulation at near zero rpm to full speed of the motor. In addition, We can customize our mechanical or electrical parmeters to suit your needs.

For precision applications, we provide special encoder mounted on the motor shaft to achieve precise speed regulation and high torque at low speed without lengthening the motor.

**0045** 1/16 HP 45 W   **0060** 1/12 HP 60 W   **0075** 1/10 HP 75 W   **0090** 1/8 HP 90 W   **0120** 1/6 HP 120 W   **0150** 1/5 HP 150 W   **0180** 1/4 HP 180 W   **0250** 1/3 HP 250 W





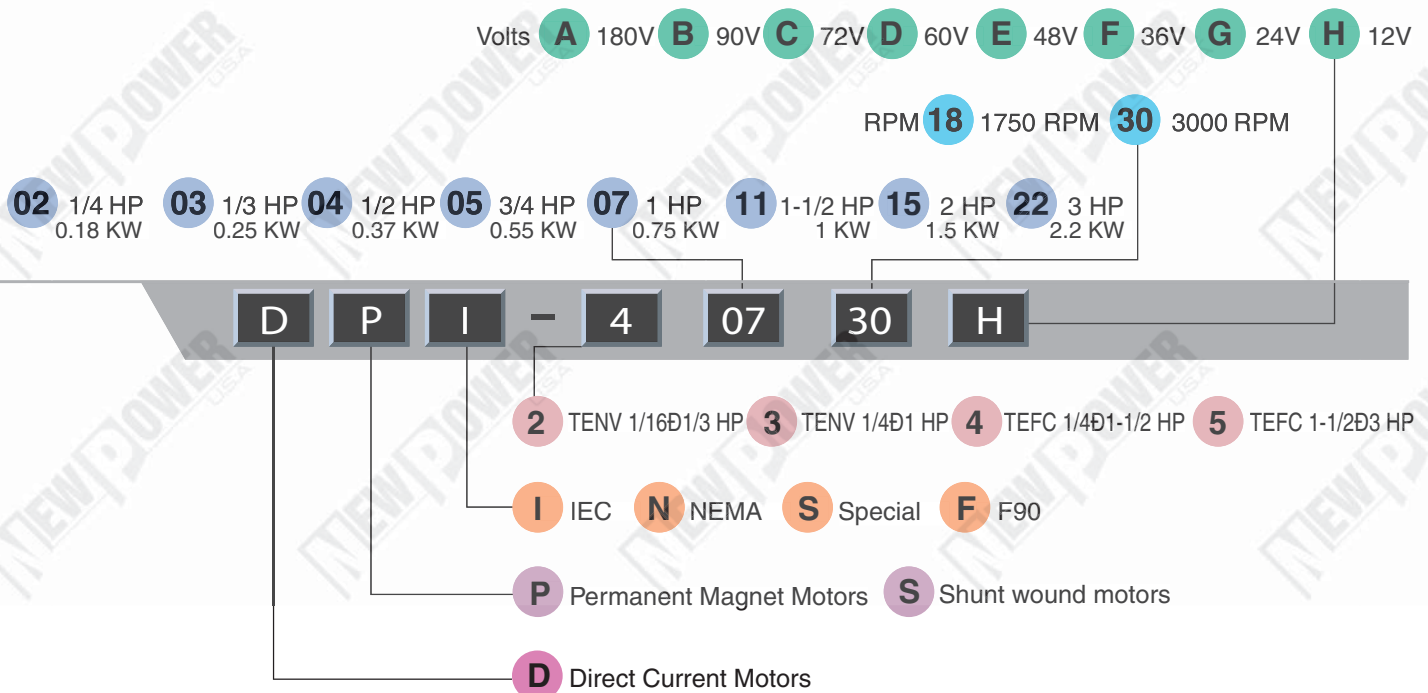
# Magnet DC Motors

## Features

1. Nema 42C-184TC face and base configurations available.
2. IEC B5, B14, D56-D100 flange mount with removable base.
3. High quality ball bearing guarantee long time operation in motor.
4. Removable brush cover for easier inspection and brush replacement.
5. Rated for use with SCR and PWM variable speed controls.
6. Low inertia armatures provide quick response.
7. Ratings include 1/16 HP to 3HP, with various rated speeds available as standard in both 90V and 180V DC designs, TEFC and TENV versions.
8. 12V/24V/36V/48V DC available.
9. Protection index: IP 54

## Category No.

**TENV** Totally Enclose Non-Vented  
**TEFC** Totally Enclose Fan-Cooled



# Permanent magnet DIRECT CURRENT MOTORS

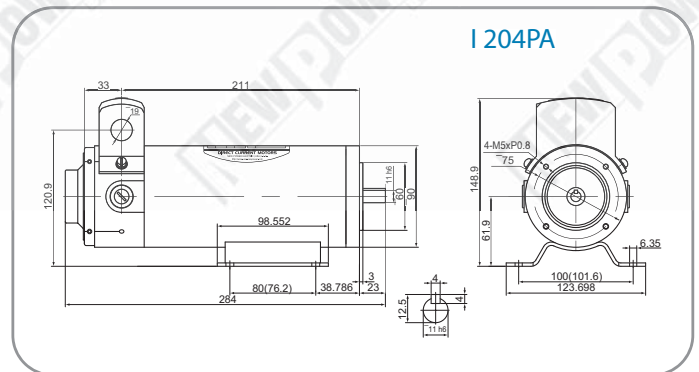
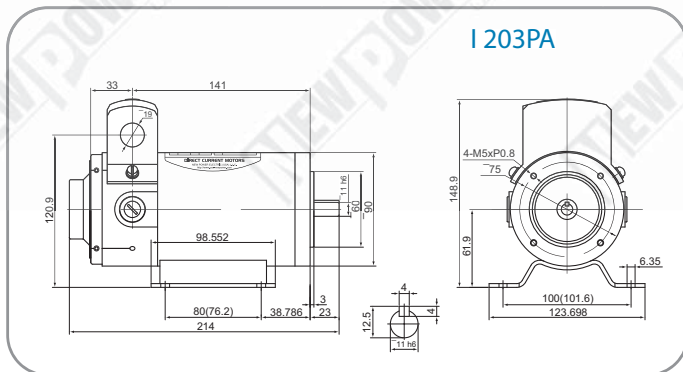
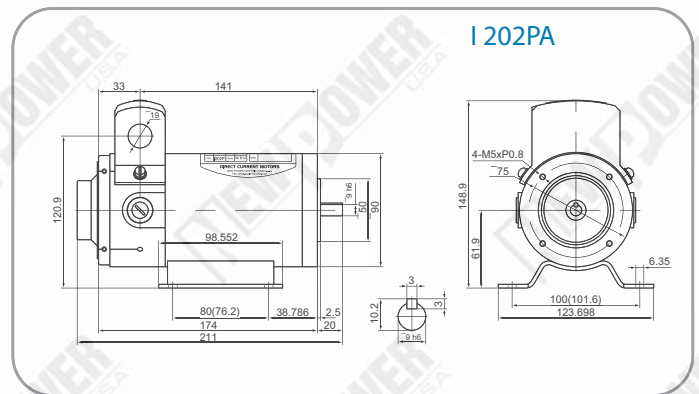
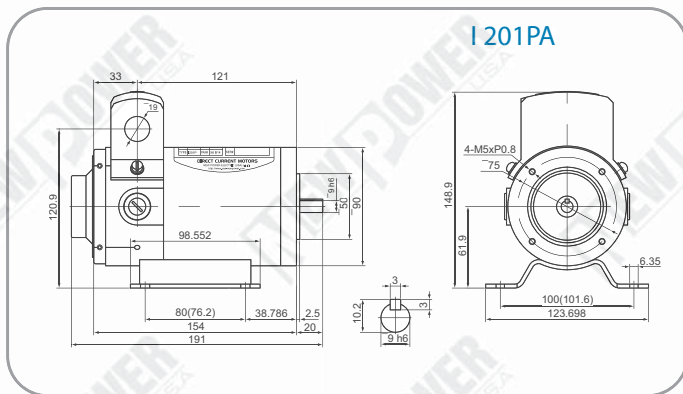
## #200 TYPE IEC B14

IEC DC Permanent magnet motors for thyristor drives IP54 B14 Flange  
45W~250W(1/16-1/3HP) IEC Frame size D56-D63 Flange mount with removable base

\*Application: General purpose including conveyors, material handling equipment and packaging machinery.



Ratings With form factor		Base Speed R.P.M.	Motor Frame	Armature		Toque		Motors Weight Kgs	Motors Type	Motors Catalog Number
W	HP			Volts	Fill Load Amps	Nm	Lb.Ft			
45	1/16	1750	D56	180	0.31	0.25	0.18	4.0	I 201PA	DPI-2004518A14
		1750	D56	90	0.63	0.25	0.18	4.0	I 201PA	DPI-2004518B14
60	1/12	1750	D56	180	0.42	0.33	0.24	4.0	I 201PA	DPI-2006018A14
		1750	D56	90	0.83	0.33	0.24	4.0	I 201PA	DPI-2006018B14
		3000	D56	180	0.42	0.19	0.14	4.0	I 201PA	DPI-2006030A14
75	1/10	3000	D56	90	0.83	0.19	0.14	4.0	I 201PA	DPI-2006030B14
		3000	D56	180	0.52	0.24	0.18	5.0	I 201PA	DPI-2007530A14
75	1/10	3000	D56	90	1.04	0.24	0.18	5.0	I 201PA	DPI-2007530B14
		1750	D56	180	0.52	0.41	0.30	5.0	I 202PA	DPI-2007518A14
90	1/8	1750	D56	90	1.04	0.41	0.30	5.0	I 202PA	DPI-2007518B14
		1750	D56	180	0.63	0.49	0.36	5.0	I 202PA	DPI-2009018A14
90	1/8	1750	D56	90	1.25	0.49	0.36	5.0	I 202PA	DPI-2009018B14
		3000	D56	180	0.63	0.29	0.21	5.0	I 202PA	DPI-2009030A14
		3000	D56	90	1.25	0.29	0.21	5.0	I 202PA	DPI-2009030B14
120	1/6	3000	D56	180	0.83	0.38	0.28	5.0	I 202PA	DPI-2012030A14
		3000	D56	90	1.67	0.38	0.28	5.0	I 202PA	DPI-2012030B14
120	1/6	1750	D63	180	0.83	0.65	0.48	5.0	I 203PA	DPI-2012018A14
		1750	D63	90	1.67	0.65	0.48	5.0	I 203PA	DPI-2012018B14
150	1/5	3000	D63	180	1.04	0.48	0.35	6.5	I 203PA	DPI-2015030A14
		3000	D63	90	2.08	0.48	0.35	6.5	I 203PA	DPI-2015030B14
150	1/5	1750	D63	180	1.04	0.82	0.60	6.5	I 204PA	DPI-2015018A14
		1750	D63	90	2.08	0.82	0.60	6.5	I 204PA	DPI-2015018B14
180	1/4	1750	D63	180	1.25	0.98	0.72	6.5	I 204PA	DPI-2018018A14
		1750	D63	90	2.50	0.98	0.72	6.5	I 204PA	DPI-2018018B14
		3000	D63	180	1.25	0.57	0.42	6.5	I 204PA	DPI-2018030A14
250	1/3	3000	D63	90	2.50	0.57	0.42	6.5	I 204PA	DPI-2018030B14
		3000	D63	180	1.74	0.80	0.59	6.5	I 204PA	DPI-2025030A14
250	1/3	3000	D63	90	3.47	0.80	0.59	6.5	I 204PA	DPI-2025030B14



1. Above figures are estimated according to the theory base, the figures may be adjusted via actual different application & factor.
2. The seller reserves the right to make any modification without advanced notice to customers upon the design or appearance shape for all New Power products.

# Permanent magnet DIRECT CURRENT MOTORS

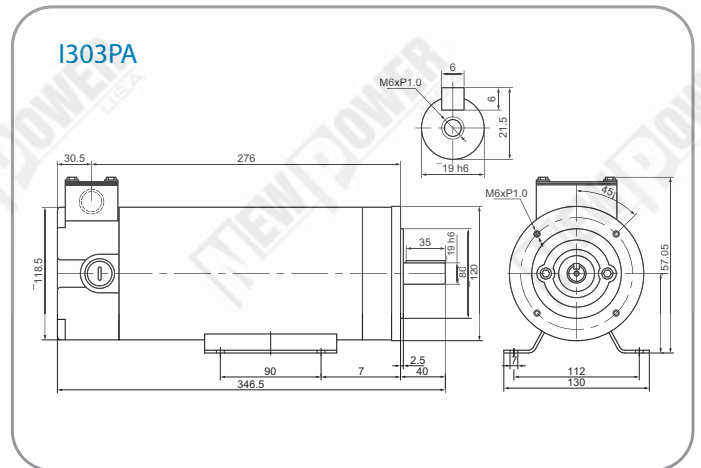
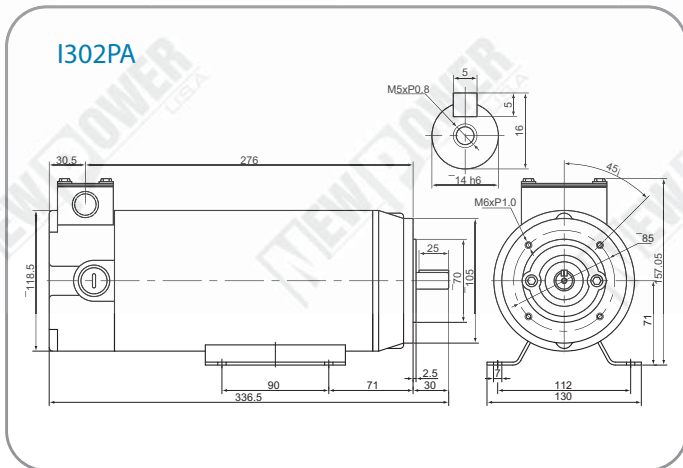
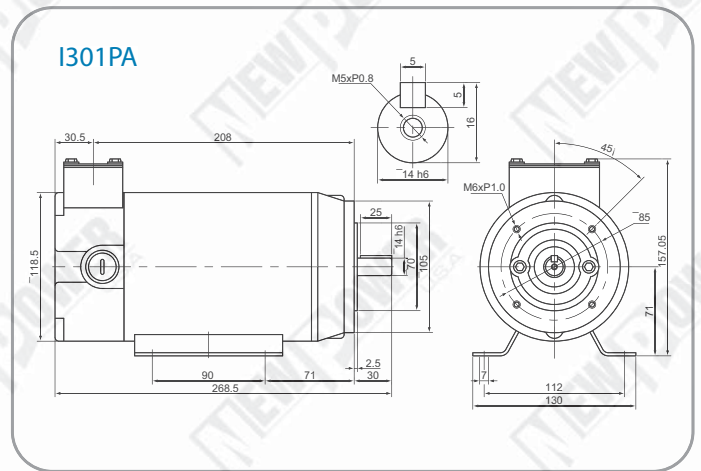
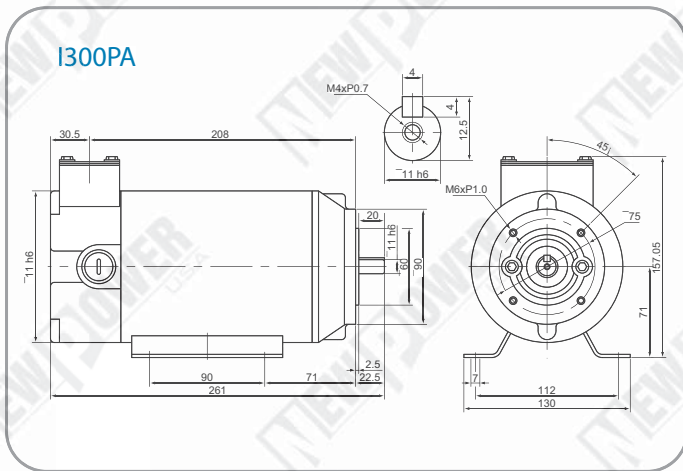
## #300 TYPE IEC B14



IEC DC Permanent magnet motors for thyristor drives IP54 B14 Flange  
0.18KW~0.75KW (1/4 HP ~ 1 HP) IEC Frame size D63-D80 Flange mount with removable base

\*Application: Conveyors, mixer, packaging machinery, electric wheelchair.

Ratings With form factor		Base Speed R.P.M.	Motor Frame	Armature		Toque		Motors Weight Kgs	Motors Type	Motors Catalog Number
KW	HP			Volts	Fill Load Amps	Nm	Lb.Ft			
0.18	1/4	1750	D63	180	1.40	1.02	0.75	11.0	I 300PA	DPI-30218A14
		1750	D63	90	2.50	1.02	0.75	11.0	I 300PA	DPI-30218B14
0.18	1/4	1750	D71	180	1.40	1.02	0.75	11.0	I 301PA	DPI-30218A14-A
		1750	D71	90	2.50	1.02	0.75	11.0	I 301PA	DPI-30218B14-A
0.25	1/3	1750	D71	180	1.70	1.36	1.00	11.0	I 301PA	DPI-30318A14
		1750	D71	90	3.20	1.36	1.00	11.0	I 301PA	DPI-30318B14
		3000	D71	180	1.70	0.79	0.58	11.0	I 301PA	DPI-30330A14
		3000	D71	90	2.80	0.79	0.58	11.0	I 301PA	DPI-30330B14
0.37	1/2	3000	D71	180	2.50	1.19	0.87	12.0	I 301PA	DPI-30430A14
		3000	D71	90	4.20	1.19	0.87	12.0	I 301PA	DPI-30430B14
0.37	1/2	1750	D71	180	2.50	2.04	1.50	14.0	I 302PA	DPI-30418A14
		1750	D71	90	4.80	2.04	1.50	14.0	I 302PA	DPI-30418B14
0.56	3/4	1750	D80	180	3.70	3.06	2.25	15.0	I 303PA	DPI-30518A14
		1750	D80	90	7.40	3.06	2.25	15.0	I 303PA	DPI-30518B14
		3000	D80	180	3.70	1.78	1.31	15.0	I 303PA	DPI-30530A14
		3000	D80	90	4.70	1.78	1.31	15.0	I 303PA	DPI-30530B14
0.75	1	3000	D80	180	5.00	2.39	1.76	16.0	I 303PA	DPI-30730A14
		3000	D80	90	10.00	2.39	1.76	16.0	I 303PA	DPI-30730B14



1. Above figures are estimated according to the theory base, the figures may be adjusted via actual different application & factor.

2. The seller reserves the right to make any modification without advanced notice to customers upon the design or appearance shape for all New Power products.



# Permanent magnet DIRECT CURRENT MOTORS

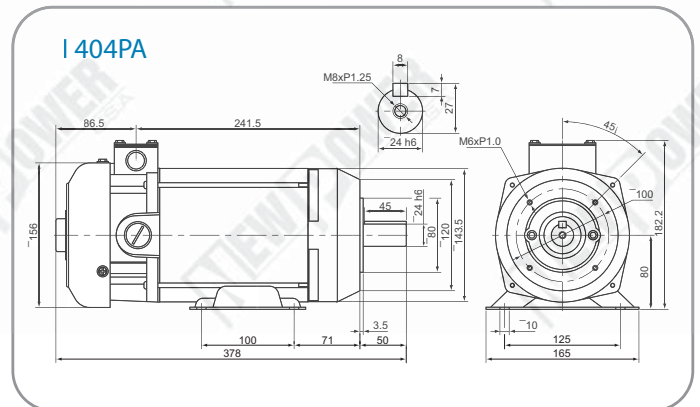
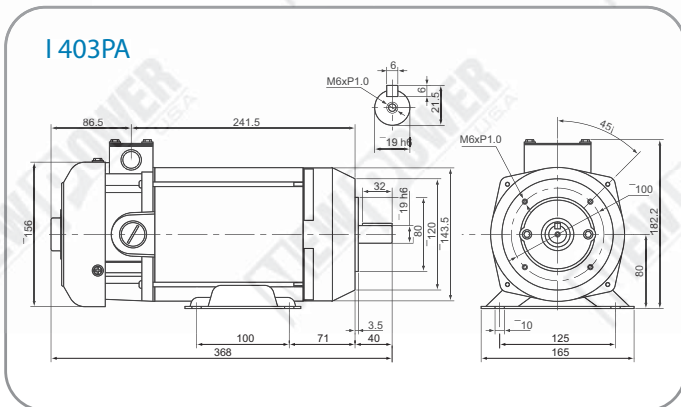
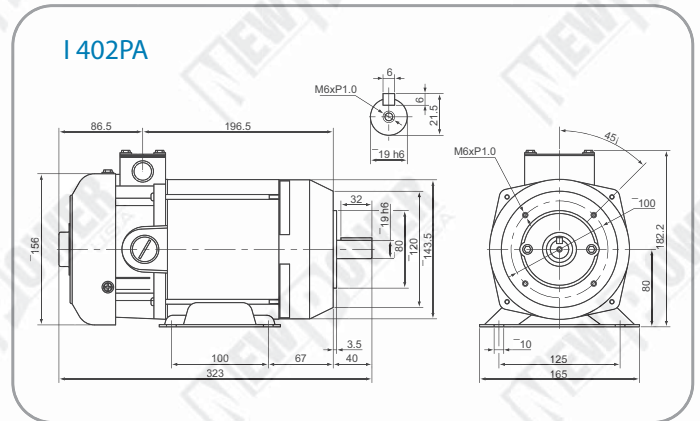
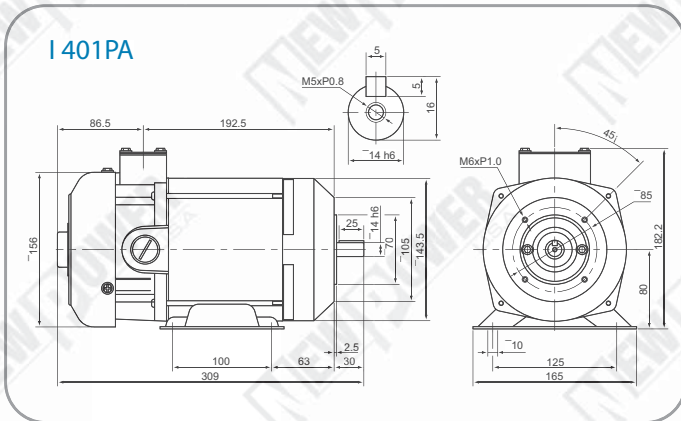


## #400 TYPE IEC B14

IEC DC Permanent magnet motors for thyristor drives IP54 B14 Flange  
0.18KW~1.1KW (1/4 HP ~ 1.5 HP) IEC Frame size D71-D90 Flange mount with removable base

\*Application: Conveyors, printing, plastic machinery, food processing and feeder.

Ratings With form factor		Base Speed R.P.M.	Motor Frame	Armature		Toque		Motors Weight Kgs	Motors Type	Motors Catalog Number
KW	HP			Volts	Fill Load Amps	Nm	Lb.Ft			
0.18	1/4	1750	D71	180 V	1.4	1.02	0.75	12.0	I 401PA	DPI-40218A14
		1750	D71	90 V	2.5	1.02	0.75	12.0	I 401PA	DPI-40218B14
0.25	1/3	1750	D71	180 V	1.7	1.36	1.00	12.0	I 401PA	DPI-40318A14
		1750	D71	90 V	3.2	1.36	1.00	12.0	I 401PA	DPI-40318B14
		3000	D71	180 V	2.2	0.79	0.58	12.0	I 401PA	DPI-40330A14
		3000	D71	90 V	2.8	0.79	0.58	12.0	I 401PA	DPI-40330B14
0.37	1/2	1750	D71	180 V	2.5	2.04	1.50	14.0	I 401PA	DPI-40418A14
		1750	D71	90 V	4.8	2.04	1.50	14.0	I 401PA	DPI-40418B14
		3000	D71	180 V	2.5	1.19	0.87	13.0	I 401PA	DPI-40430A14
		3000	D71	90 V	4.2	1.19	0.87	13.0	I 401PA	DPI-40430B14
0.56	3/4	3000	D80	180 V	3.1	1.78	1.31	14.0	I 402PA	DPI-40530A14
		3000	D80	90 V	6.3	1.78	1.31	14.0	I 402PA	DPI-40530B14
0.56	3/4	1750	D80	180 V	3.7	3.06	2.25	20.0	I 403PA	DPI-40518A14
		1750	D80	90 V	7.0	3.06	2.25	20.0	I 403PA	DPI-40518B14
0.75	1	1750	D80	180 V	5.0	4.08	3.00	23.0	I 403PA	DPI-40718A14
		1750	D80	90 V	10.0	4.08	3.00	23.0	I 403PA	DPI-40718B14
		3000	D80	180 V	5.1	2.38	1.75	16.0	I 403PA	DPI-40730A14
		3000	D80	90 V	8.4	2.38	1.75	16.0	I 403PA	DPI-40730B14
1.1	1.5	3000	D90	180 V	8.0	3.57	2.62	19.0	I 404PA	DPI-41130A14



1. Above figures are estimated according to the theory base, the figures may be adjusted via actual different application & factor.

2. The seller reserves the right to make any modification without advanced notice to customers upon the design or appearance shape for all New Power products.

# Permanent magnet DIRECT CURRENT MOTORS

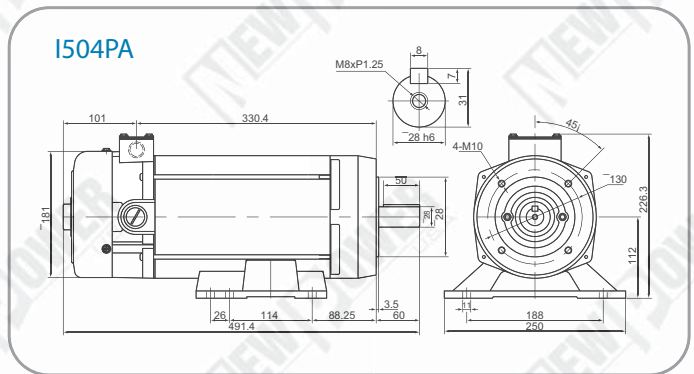
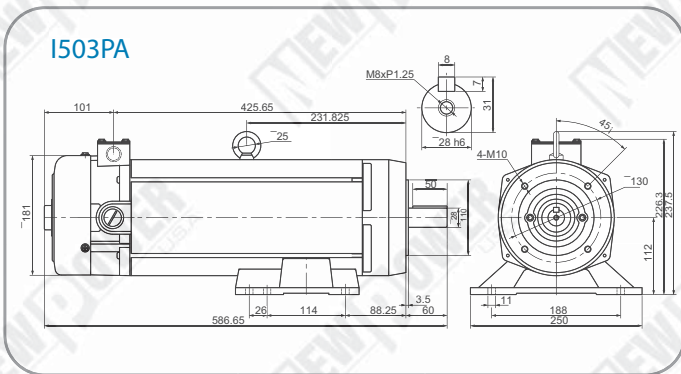
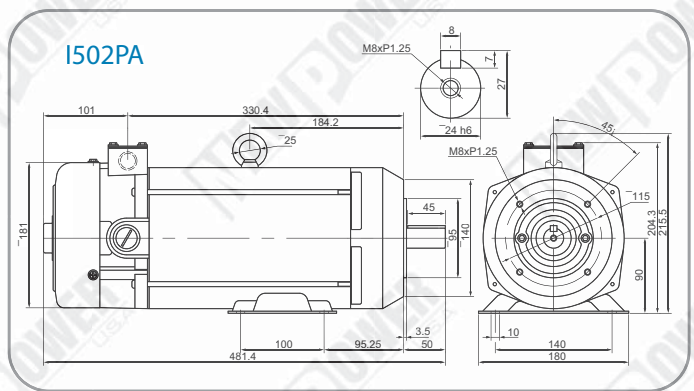
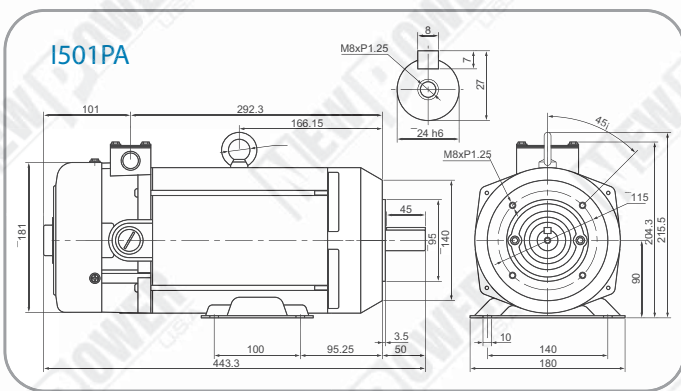


## #500 TYPE IEC B14

IEC DC Permanent magnet motors for thyristor drives IP54 B14 Flange  
1.1KW~2.2KW (1.5 HP ~ 3 HP) IEC Frame size D90-D100 Flange mount with removable base

\*Application: Conveyors, printing, plastic machinery, food processing and feeder.

Ratings With form factor		Base Speed R.P.M.	Motor Frame	Armature		Toque		Motors Weight Kgs	Motors Type	Motors Catalog Number
KW	HP			Volts	Fill Load Amps	Nm	Lb.Ft			
1.1	1.5	1750	D90	180 V	7.7	6.12	4.5	25	I 501PA	DPI-51118A14
1.5	2	1750	D90	180 V	9.6	8.16	6	29	I 502PA	DPI-51518A14
		3000	D90	180 V	11.4	4.76	3.5	33	I 502PA	DPI-51530A14
2.2	3	1750	D100	180 V	14.0	9.00	6.64	40	I 503PA	DPI-52218A14
		3000	D100	180 V	14.0	5.25	3.87	35	I 504PA	DPI-52230A14



1. Above figures are estimated according to the theory base, the figures may be adjusted via actual different application & factor.

2. The seller reserves the right to make any modification without advanced notice to customers upon the design or appearance shape for all New Power products.



NEW POWER ELECTRIC (U.S.A) L.L.C.  
Add:726S, Casino Center Blvd #207, Las Vegas,  
NV 89101-6743, U.S.A  
<http://www.usa-newpower.com>  
E-mail:[service@usa-newpower.com](mailto:service@usa-newpower.com)

---

Distributor: