

NEW POWER
U.S.A DC MOTORS



INDUSTRIAL MOTOR LINE



**PERMANENT MAGNET
DC MOTOR**

<http://www.usa-newpower.com>
E-mail: service@usa-newpower.com

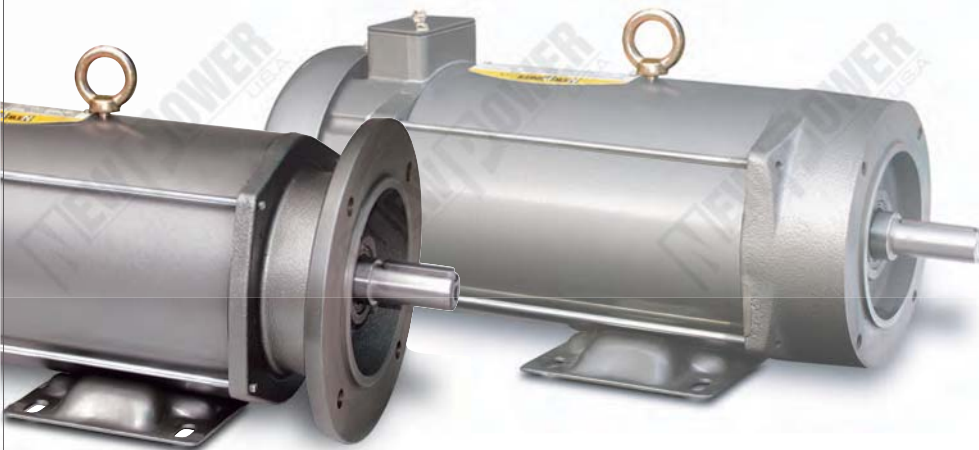
Up to speed in any variable speed application

Whatever your needs in variable speed applications, you can trust our 200/300/400/500 series PMDC motors. Designed and built under the highest quality process for General industrial needs, our products are there to provide reliable performance for a long time. Our motors will provide constant torque over the entire speed range when properly match to the speed Controller.

When properly matched with the Speed Controllers, our motors can achieved stable Speed/ Torque regulation at near zero rpm to full speed of the motor. In addition, We can customize our mechanical or electrical parmeters to suit your needs.

For precision applications, we provide special encoder mounted on the motor shaft to achieve precise speed regulation and high torque at low speed without lengthening the motor.

0045 1/16 HP 45 W **0060** 1/12 HP 60 W **0075** 1/10 HP 75 W **0090** 1/8 HP 90 W **0120** 1/6 HP 120 W **0150** 1/5 HP 150 W **0180** 1/4 HP 180 W **0250** 1/3 HP 250 W



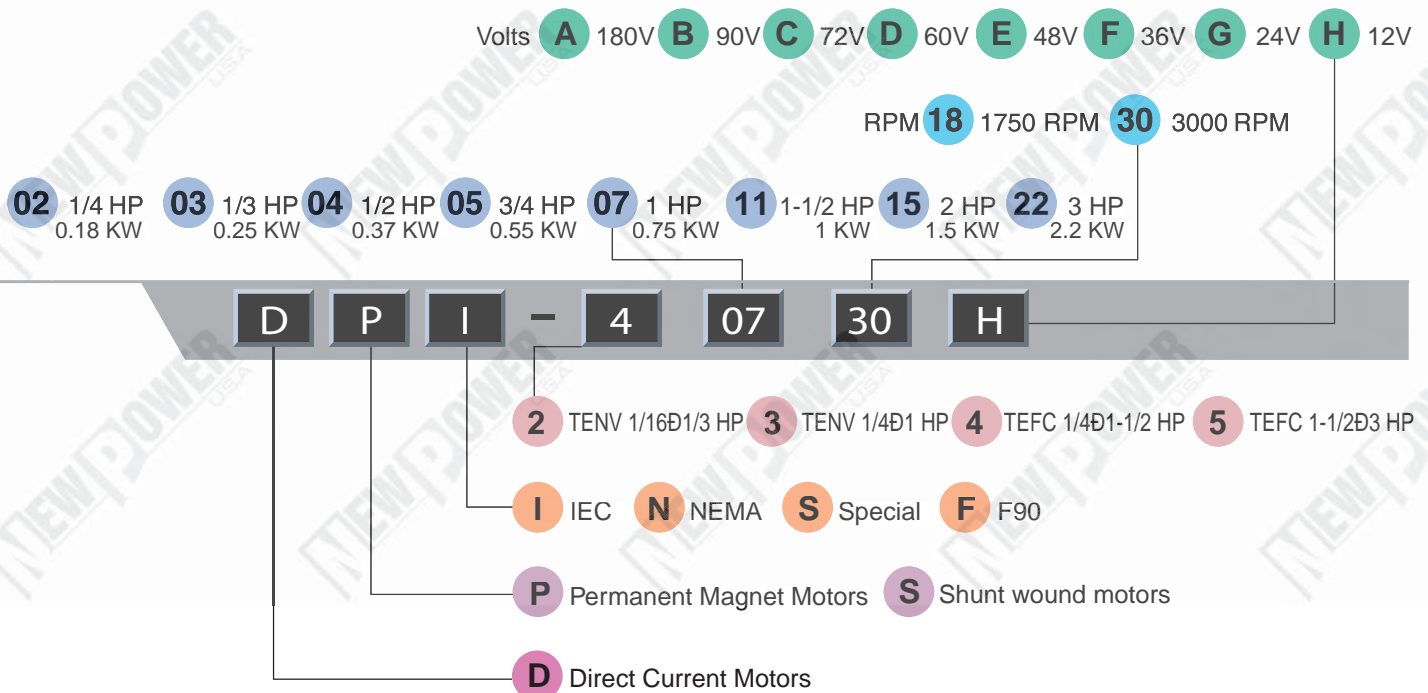
Magnet DC Motors

Features

1. Nema 42C-184TC face and base configurations available.
2. IEC B5, B14, D56-D100 flange mount with removable base.
3. High quality ball bearing guarantee long time operation in motor.
4. Removable brush cover for easier inspection and brush replacement.
5. Rated for use with SCR and PWM variable speed controls.
6. Low inertia armatures provide quick response.
7. Ratings include 1/16 HP to 3HP, with various rated speeds available as standard in both 90V and 180V DC designs, TEFC and TENV versions.
8. 12V/24V/36V/48V DC available.
9. Protection index: IP 54

Category No.

TENV Totally Enclose Non-Vented
TEFC Totally Enclose Fan-Cooled



Permanent magnet DIRECT CURRENT MOTORS

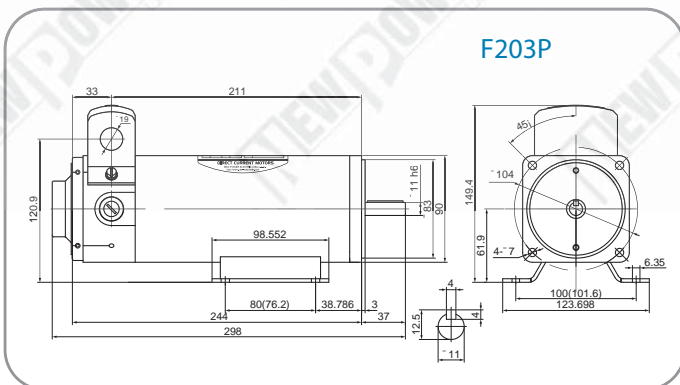
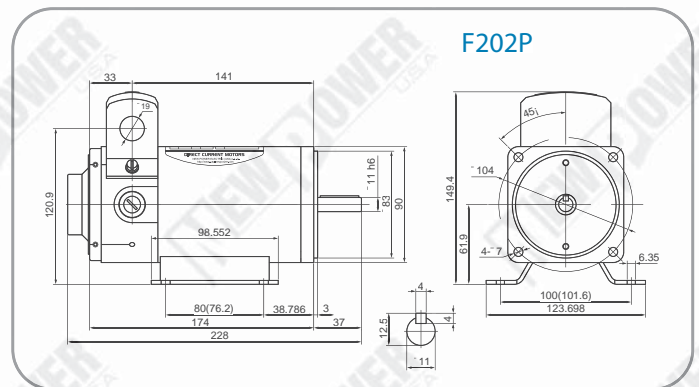
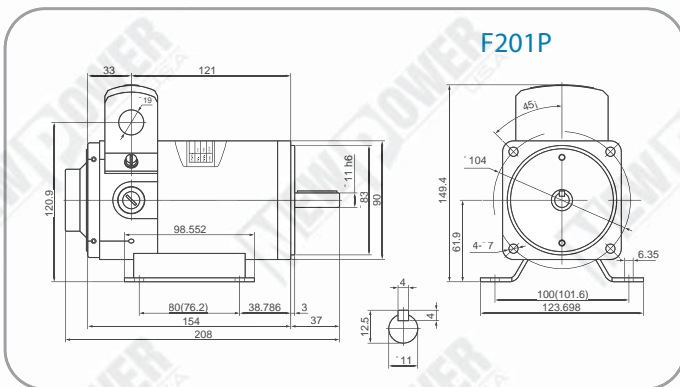


#200 TYPE F90

DC Permanent magnet motors IP54 with 45W~250W (1/16 HP ~ 1/3 HP)
F90 Flange mount , removable base available

* Application: General purpose including conveyors, material handling equipment and packaging machinery.

Ratings With form factor		Base Speed R.P.M.	Motor Frame	Armature		Toque		Motors Weight Kgs	Motors Type	Motors Catalog Number
W	HP			Volts	Fill Load Amps	Nm	Lb.Ft			
45	1/16	1750	F90	180	0.31	0.25	0.18	4.0	F 201P	DPF-2004518A
		1750	F90	90	0.63	0.25	0.18	4.0	F 201P	DPF-2004518B
60	1/12	1750	F90	180	0.42	0.33	0.24	4.0	F 201P	DPF-2006018A
		1750	F90	90	0.83	0.33	0.24	4.0	F 201P	DPF-2006018B
		3000	F90	180	0.42	0.19	0.14	4.0	F 201P	DPF-2006030A
75	1/10	3000	F90	90	0.83	0.19	0.14	4.0	F 201P	DPF-2006030B
		3000	F90	180	0.52	0.24	0.18	5.0	F 201P	DPF-2007530A
75	1/10	3000	F90	90	1.04	0.24	0.18	5.0	F 201P	DPF-2007530B
		1750	F90	180	0.52	0.41	0.30	5.0	F 202P	DPF-2007518A
90	1/8	1750	F90	90	1.04	0.41	0.30	5.0	F 202P	DPF-2007518B
		1750	F90	180	0.63	0.49	0.36	5.0	F 202P	DPF-2009018A
120	1/6	1750	F90	90	1.25	0.49	0.36	5.0	F 202P	DPF-2009018B
		3000	F90	180	0.63	0.29	0.21	5.0	F 202P	DPF-2009030A
		3000	F90	90	1.25	0.29	0.21	5.0	F 202P	DPF-2009030B
150	1/5	1750	F90	180	0.83	0.65	0.48	5.0	F 202P	DPF-2012018A
		1750	F90	90	1.67	0.65	0.48	5.0	F 202P	DPF-2012018B
		3000	F90	180	0.83	0.38	0.28	5.0	F 202P	DPF-2012030A
		3000	F90	90	1.67	0.38	0.28	5.0	F 202P	DPF-2012030B
150	1/5	3000	F90	180	1.04	0.48	0.35	6.5	F 202P	DPF-2015030A
		3000	F90	90	2.08	0.48	0.35	6.5	F 202P	DPF-2015030B
180	1/4	1750	F90	180	1.04	0.82	0.60	6.5	F 203P	DPF-2015018A
		1750	F90	90	2.08	0.82	0.60	6.5	F 203P	DPF-2015018B
250	1/3	1750	F90	180	1.25	0.98	0.72	6.5	F 203P	DPF-2018018A
		1750	F90	90	2.50	0.98	0.72	6.5	F 203P	DPF-2018018B
		3000	F90	180	1.25	0.57	0.42	6.5	F 203P	DPF-2018030A
250	1/3	3000	F90	90	2.50	0.57	0.42	6.5	F 203P	DPF-2018030B
		3000	F90	180	1.74	0.80	0.59	6.5	F 203P	DPF-2025030A
250	1/3	3000	F90	90	3.47	0.80	0.59	6.5	F 203P	DPF-2025030B



- Above figures are estimated according to the theory base, the figures may be adjusted via actual different application & factor.
- The seller reserves the right to make any modification without advanced notice to customers upon the design or appearance shape for all New Power products.



NEW POWER ELECTRIC (U.S.A) L.L.C.
Add:726S, Casino Center Blvd #207, Las Vegas,
NV 89101-6743, U.S.A
<http://www.usa-newpower.com>
E-mail:service@usa-newpower.com

Distributor: